

Specification Sheet

GCMS-QP2010 SE



The GCMS-QP2010SE is our advanced standard gas chromatograph mass spectrometer. Descended from the GCMS-QP2010S, it combines the benefits of economy, simple operation and enhanced performance. The enhanced maximum column flow enables a variety of columns to be selected. Productivity and sample throughput can be dramatically increased. Ecology mode saves power and carrier gas consumption allowing for a lower cost of ownership and less environmental stress.

Instrument

GC

Model:	Shimadzu GC-2010 Plus
Oven temperature:	Up to 450°C
Injector port temp:	Up to 450°C
AFC pressure range:	0 to 970 kPa
High-power oven with fast heat-up rate compatible with fast GC-MS (230 VAC)	

MS

[GCMS Interface]

Type:	Direct connection with capillary column
Temperature:	50 to 350°C

[Ion Source]

Model:	EI
Ion source temperature:	140 to 260°C
Filament:	Dual (Automatic Switching)
Electron energy:	10 to 200 eV
Emission current:	5 to 250 μ A
Front access structure for easy maintenance	

DI (Option)

Temp. setting:	Room temp. to 500°C
----------------	---------------------

[Mass Analyzer and Detector]

Mass analyzer:	Metal quadrupole mass filter with pre-rod
Mass range:	m/z 1.5–1000
Mass resolution:	2M (FWHM)
High-speed scanning control:	Advanced Scanning Speed Protocol (ASSP™)
High-speed scan rate:	10,000 u/sec
Minimum measurement interval:	0.01 s (Maximum 100 scan/sec)
Detector:	Secondary electron multiplier with the patented overdrive lens and conversion dynode
Main pump:	Turbomolecular pump (58 L/sec for He)
Fore pump:	30 L/min (60Hz) Rotary pump
Column flow:	Up to 4 mL/min (He)

Software

[GCMSsolution Ver. 2.6]

Mode: Scan, SIM, FASST
(Fast Automated Scan/SIM Type)
SIM: 64 channels × 128 groups
Energy saving: Ecology mode
Insert replacement: Easy sTop
Method creation: COAST (Creation of Automatic SIM Table),
AART (Automatic Adjustment of Retention Time)
Library search: Similarity search, Similarity search with
retention index, Index search
Instrument tuning: Autotuning for EI mode
Mass spectrum libraries (Option):
NIST, Wiley, Pesticide Library, FFNSC Library
(Flavor and Fragrance), Drug Library

Database (Option):
Method Package (Residual Pesticides in Foods,
EPA524, EPA525), Compound Composer
Database Software for Simultaneous Analysis,
EPA Optional Software, VOC Analysis Software,
GC/MS Metabolomics Database
Quality control functions:
QA/QC function for accuracy control,
System check for instrument management,
Security function for user management
File format: Compound Structure Format, best-suited for GLP
Maintenance support:
MSNAVIGATOR
Report: Highly flexible report creation, Template

Installation Checkout Specifications

El scan sensitivity: 1 pg octafluoronaphthalene
 m/z 272 S/N > 200

Installation Example

Power Requirements

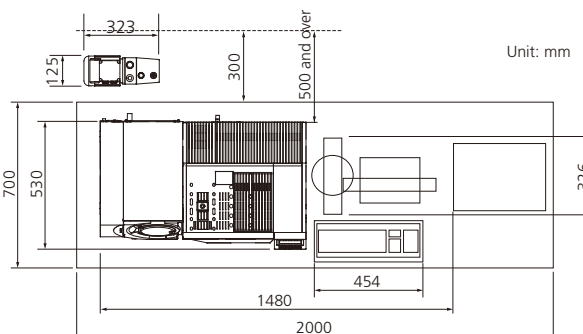
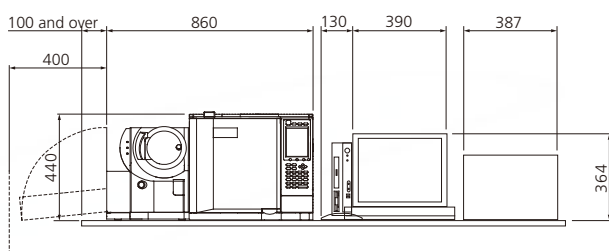
Frequency: 50/60 Hz
GC: 1800 VA (115 VAC)/*2600 VA (230 VAC)
* High-power oven
MS: 1000 VA (100 – 230 VAC)

Environment

Temperature: Constant temperature between 18 and 28°C
Humidity: 40 to 70 % (No condensation)

Size and Weight

GC/MS: 66 kg
Rotary pump: 10 kg
Size and weight of PC/Printer vary according to models.



For More Information

For more information on Shimadzu products, visit our website at <http://www.shimadzu.com/>

Appearance and specifications are subject to change without notice.

Shimadzu Corporation shall not be liable for errors contained herein or for incidental or consequential damages in connection with the furnishing, performance or use of this material.



SHIMADZU CORPORATION. International Marketing Division
3. Kanda-Nishikicho 1-chome, Chiyoda-ku, Tokyo 101-8448, Japan
Phone: 81(3)3219-5641 Fax: 81(3)3219-5710
URL <http://www.shimadzu.com>

Founded in 1875, Shimadzu Corporation, a leader in the development of advanced technologies, has a distinguished history of innovation built on the foundation of contributing to society through science and technology. We maintain a global network of sales, service, technical support and applications centers on six continents, and have established long-term relationships with a host of highly trained distributors located in over 100 countries. For information about Shimadzu, and to contact your local office, please visit our Web site at www.shimadzu.com



JQA-0376